



SIPRGUARD

*Endpoint Physical Protection for SIPRNet
Biometric Desktop Access Control*

FEATURES & BENEFITS

SIMPLICITY & CONVENIENCE

- Biometric fingerprint & PIN authentication on desktop
- Accommodates up to 2,000 users
- ON/OFF control of all desktop devices: KVM, VOIP, VTC
- Desktop access to SIPRNet without opening IPS Container
- Instant SIPRNet access without bootup delays
- Scalable for multiuser, multidomain & multimedia

SECURITY & COMPLIANCE

- Assures DISA STIG and CCRI compliance
- Network devices remain in IPS Container and on-line 24/7
- Antiviral patches always up to date
- Supplemental to SIPR token login
- Local admin & enrollment
- Restricts access to network devices inside IPS Container

PERFORMANCE & RELIABILITY

- No off-line storage of hard drives, laptops or crypto keys
- Networks centralized, improved availability & readiness
- Reduces human intervention by users, techs & guards
- Minimal power cycling increases hardware reliability
- On-line 24/7 improves network stability & performance

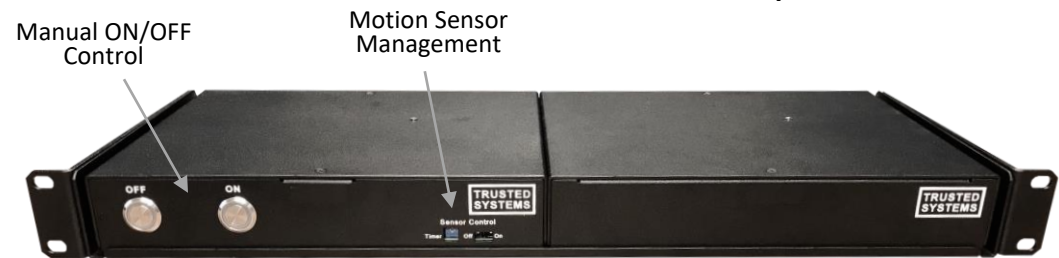
APPLICATIONS

- SIPRNet sites, offices or cafes
- Executive/GOQ's and offices (with INCOGNITO cabinetry)
- Multidomain sites, conference & training rooms
- Thin or zero client networks
- Mixed nationality environments

**Simple
Secure
Convenient
Compliant**



Desktop Module



Control Module

Gateway Module

DESCRIPTION & OPERATION

SIPRGuard streamlines network access from the desktop without compromising security, convenience or performance. It uses two factor (PIN & Fingerprint) authentication to connect the desktop KVM and Ethernet devices to the network equipment mounted inside a Trusted Systems IPS Container (CAA equivalent). This precedes and is in addition to the normal SIPR token login without the need to open the IPS Container.

SIPRGuard consists of three modules: Desktop Module, Control Module and Gateway Module, the latter two secured inside the IPS Container. Users are enrolled using the Desktop Module. Once the user is validated in the Control Module, signals are transmitted through the Gateway Module to the desktop peripherals. Then, normal SIPRNet token login commences. To disconnect, the user simply removes their SIPR token, presses the OFF button on the Desktop Module and walks away. If the user leaves the desktop without pressing the OFF button, a time-delayed motion sensor kills the circuit automatically. The Control Module supplies power to all other modules, backup manual ON/OFF control and motion sensor management.

TECHNICAL SPECIFICATIONS

Model	Description
TSSPG-BC	Desktop/Control Modules
TSSPG1-EXP	KVME Gateway Module (1x HDMI, 1x USB, 1x Ethernet)
TSSPG2-EXP	Ethernet Gateway Module (3 port Ethernet)
TSSPG-RMK1U	1U Rack Mount Shelf with whale tail zip tie cable retention

Dimensions:

Desktop Module: 6.7" H x 3.6" W x 5.6" D
 Gateway Module: 1.6" H x 8.43" W x 6.75" D
 Control Module: 1.6" H x 8.43" W x 6.75" D
 1U Rackmount Tray: 1.7" H x 18.9" W x 11.75" D

Input Power: 100-250VAC, 50-60 Hz, IEC-320-C14, 6ft C13 to NEMA 5-15 power cord included

Environmental:

Operating Temperature 0°C to 50°C (32°F to 122°F)
 Storage Temperature -20°C to 60°C (-4° to 140° F)

Standard Cable Sets:

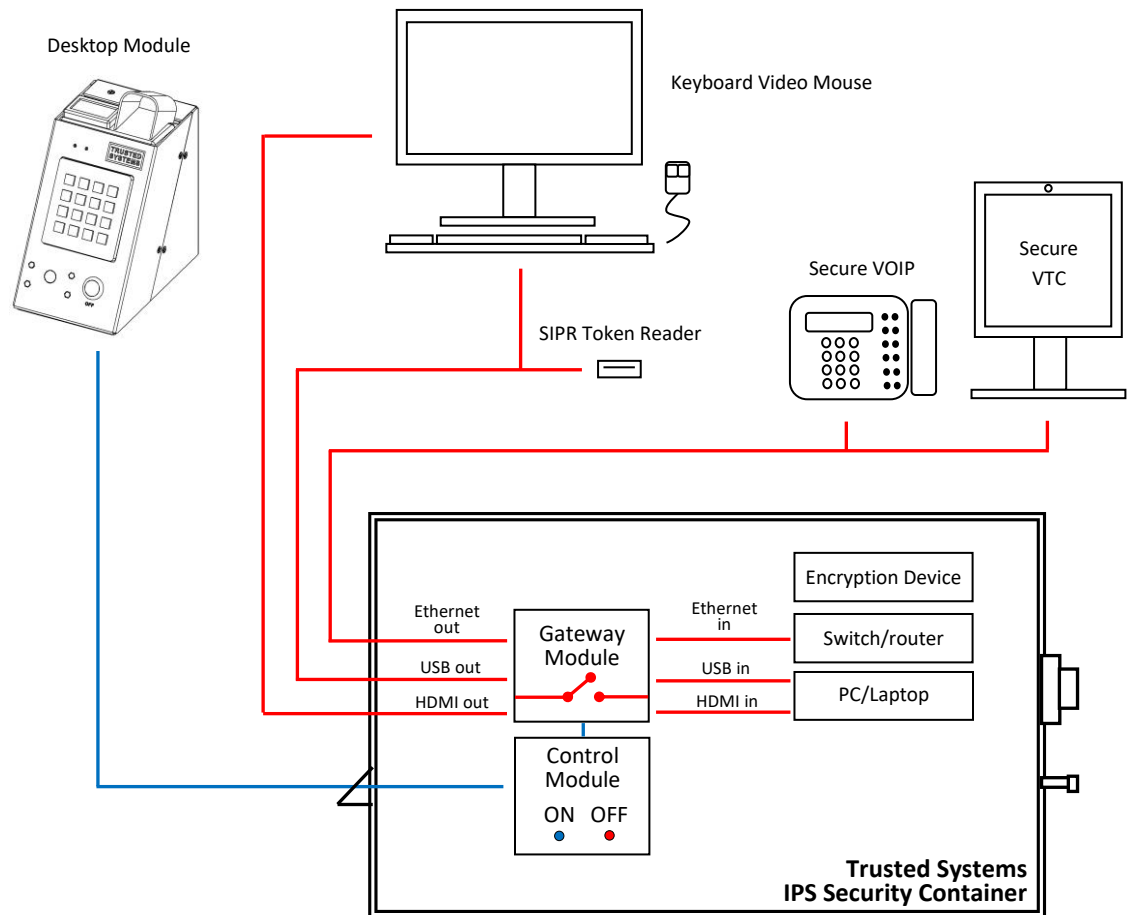
Input: 6ft HDMI/USB/Cat6
 Output: 15ft HDMI/USB/Cat6

OPTIONS

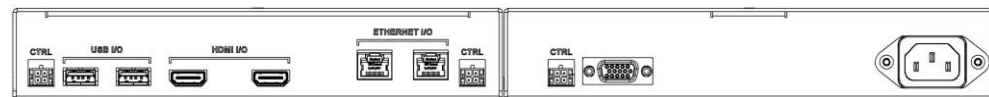
- 30ft & 50ft output cable sets
- Up to 6 Gateway Modules can be daisy-chained from a single Desktop/Control Module
- 3 Port Ethernet Gateway Module
- Internal Manual On/Off only Model
- SafeGuard Monitor Interface Module

ACCESSORIES

- 4 Port KVM Switch with cables for SIPR, NIPR and/or other networks
- USB Keyboard/mouse and HDMI Monitor combinations

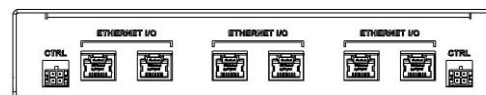


Gateway/Control Module Back Views



KVME Gateway Module

Control Module



3 Port Ethernet Gateway Module

Activate up to 6 Gateway Modules from a single Desktop/Control Module



Security Made Simple

(410) 756-3300
 (800) 414-4203
 www.trustedsys.com
 Rev 12-2019

