

# TSM281WD

## IPS Security Container

### Product Data Sheet

#### TECHNICAL SPECIFICATIONS

<b>Model</b>	<b>TSM281WD</b>
Rec. Heat Load:	300 – 1000 Watts
Rack:	13Ux25"D roll-out rack, 500lb capacity
Weight:	1145lbs
Dimensions:	28.5"H x 27"W x 45"D* add 2.75" to width for vents add 4.6" to depth for handle & cable exit *(Custom Depths Available)
Door Opening:	25.75"H x 24.25"W
Internal Space:	27.75"H x 26.25"W x 34.75"D
Power:	115VAC, 50/60Hz, 1.0A (cooling fans)
Noise Levels:	12dBA at 75°F up to 42dBA at 95°F
Cable Count:	Up to 35 (Cat5) incoming "Black" Up to 75 (Cat5) outgoing "Red"*** **(Optional Enlarged Cable Entry Available)

#### GSA CLASS 5 FEDERAL SPECIFICATIONS:

##### PHYSICAL PROTECTION: Federal Specification AA-C-2786

- 20 man-hours against surreptitious entry
- 30 man-minutes against covert entry
- 10 man-minutes against forced entry

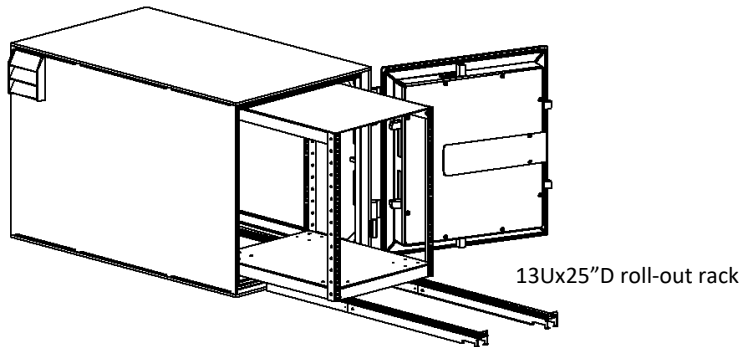
##### LOCK SPECIFICATION: Federal Specification FF-L-2740

- Approved Locks: Kaba Mas X-10 and S&G 2740



#### FEATURES AT A GLANCE

- GSA approved alternative to CAA or facility build-out
- Highest level class 5 physical protection available
- 13Ux25"D roll-out rack with removable service tracks
- Ultra quiet temperature controlled cooling system
- Two feed-thru style cable entries for Red/Black separation
- Mounting bracket for optional PDS junction box
- 5-outlet power strip with 15ft cord included
- Flat bottom design reduces floor loading



#### OPTIONS & ACCESSORIES

Part No.	Description
TSSPG-BC	SIPRGuard HDMI/USB/Ethernet on-off gateway with two-factor authentication for secure SIPRNet access
TSM1924LT-SLSF	Laptop Slide Tray for 19" Rack, 1U x 24"D, 45lb capacity, with cable management arm
TSM192036-FSF	Fixed Shelf for 19" Rack, 1U telescoping design fits 20-36" deep racks, 100 lb capacity
TS-RS1215-RA	1U Rack-Mount Power Strip, 120V, 15A, 12 outlets 5-15R with 15-ft. Cord
TSM1010-JB	PDS Junction Box, 10x8x10, Right Side Door Opening
TSM511-ECB	Enlarged Cable Entry Portal for High Cable Counts (up to 144 Cat5)
TSM2745-CSTR	Caster Base for 27"Wx45"D models, (4) 5" Dia. Locking Wheels
TSM8TPDU-SGD	SafeGuard Remote Monitor, Alarm & Control System: dial rotation, lock status, door position, temp & power, with remote equipment power shutdown

